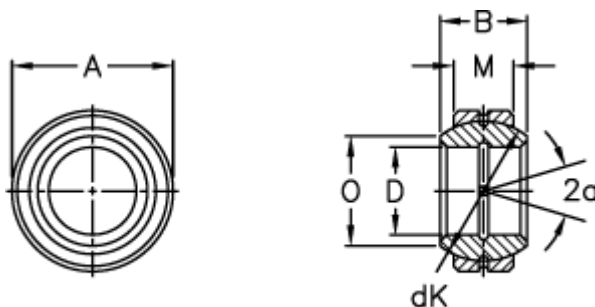


Article number: 03506060

Description: Fluro Rod end GE 60FO-2RS

Measures



Str. 6–12 uden smørerille

A	= 105 0 -0,015	Tilt angle = 17
B	= 63	Weight = 2000
D	= 60 0 -0,015	
dK	= 92	
Dynamic load C (kN)	= 315	
M	= 40	
O	= 67	
Static load C0 (kN)	= 1560	